

**READ COMPLETELY  
BEFORE INSTALLING**

# CostGard™ Condensate Drain Seal For Blow-Through Air Handlers

**NO TRAP  
REQUIRED**

## BLOW-THROUGH OVERVIEW

The CostGard™ Condensate Drain Seal is applicable to blow-through HVAC systems with cooling capacities up to 100 tons, positive pressure in the drain pan up to 5.0" w.c. and drain connection diameters 3/4" to 2". The CostGard™ Condensate Drain Seal prevents flow blockage caused by trapped debris and algae growth, is maintenance-free and requires no routine service. Because of configuration versatility, it can be installed on practically any existing blow-through HVAC system.

## INSTALLATION OPTIONS

The available space, along with the direction and distance to the main drain receptor, dictate the assembly of the CostGard™ Condensate Drain Seal. **Figure 1A** illustrates the common depth configuration with **Table 1** listing the common depth configuration dimensions.

**Figure 1B** illustrates an exploded view of the common configuration with the included components shaded grey. If any of the grey shaded components are missing, contact Trent Technologies, Inc.

If the depth available is limited, Part A & C may be rotated about the drain pan connection to any angle between 15° and 90° from horizontal, as shown in **Figure 2A**.

**Figure 2A** illustrates a reduced depth configuration capable of being

installed in tight restrictive spaces. **Table 2** lists the reduced depth configuration dimensions.

Prior to installation, the condensate drain pan and drain outlet should be cleaned and flushed to remove all accumulated algae, fungi and other debris.

Dry-fit all components prior to cementing PVC connections to ensure there is no interference with service access panels.

The drain line should have a slope not less than 1/8" per foot and must be supported as necessary to ensure uniform drainage and that no condensate is trapped in the line.

Follow and abide by local codes and guidelines.

**TABLE 1: Depth Dimensions**

MODEL #	DRAIN SIZE	DEPTH	LENGTH	WIDTH
B20-07-42	3/4"	4-1/4"	7-3/8"	4-3/4"
B30-10-52	1"	5-1/4"	9-1/2"	6-1/2"
B50-12-55	1-1/4"	5-1/4"	10"	6-7/8"
B50-15-55	1-1/2"	5-1/2"	10"	7-1/4"
B50-20-57	2"	5-3/4"	10"	7-1/4"

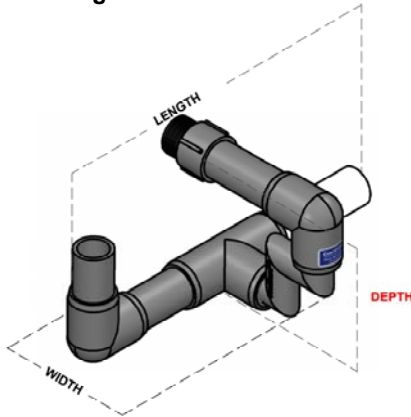
**DEPTH = FROM THE CENTER OF THE DRAIN TO THE BOTTOM OF THE DEVICE**

**TABLE 2: Reduced Depth Dimensions**

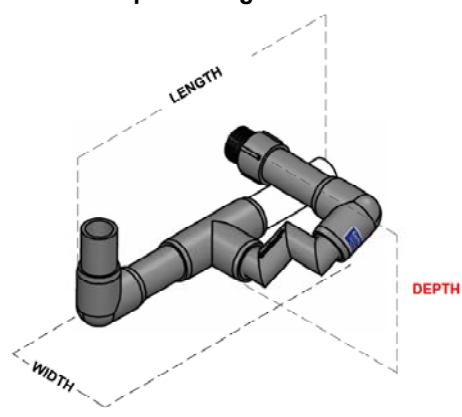
MODEL #	DRAIN SIZE	DEPTH	LENGTH	WIDTH
B20-07-42	3/4"	2"	7-3/8"	4-3/4"
B30-10-52	1"	2-1/4"	9-1/2"	6-1/2"
B50-12-55	1-1/4"	2-1/4"	10"	6-7/8"
B50-15-55	1-1/2"	2-1/2"	10"	7-1/4"
B50-20-57	2"	3"	10"	7-1/4"

**DEPTH = FROM THE CENTER OF THE DRAIN TO THE BOTTOM OF THE DEVICE**

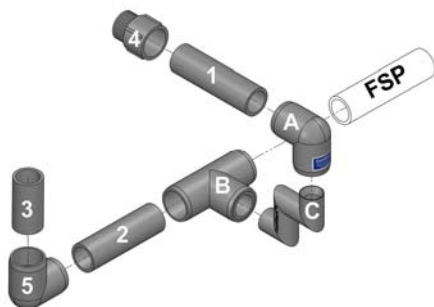
**FIGURE 1A: Depth Configuration Dimensions**



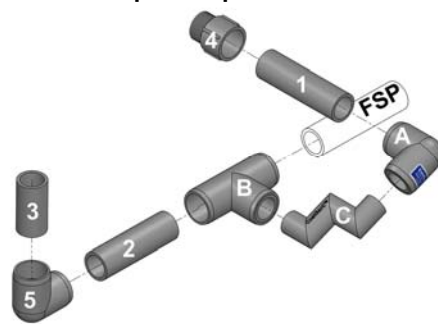
**FIGURE 2A: Reduced Depth Configuration Dimensions**



**FIGURE 1B: Depth - Exploded View**



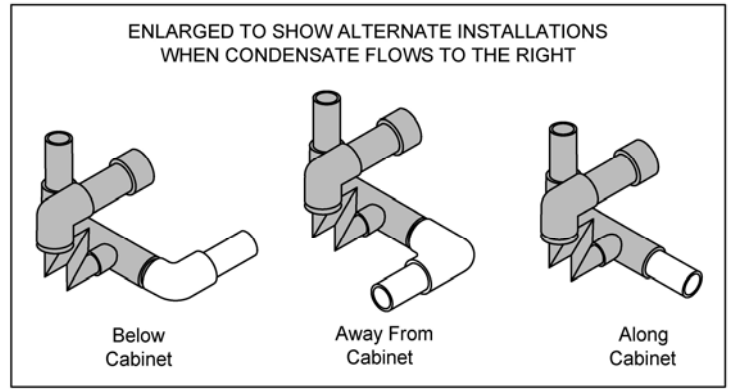
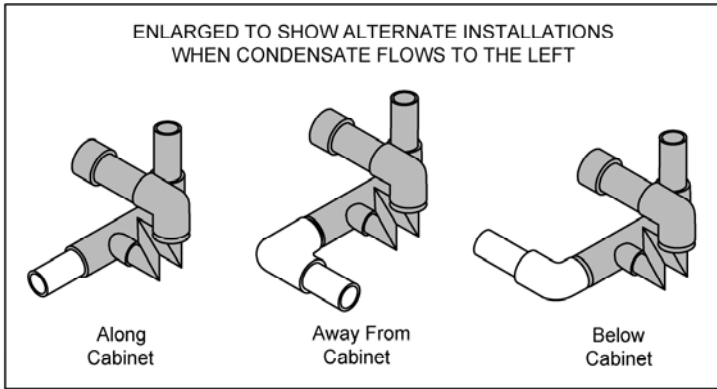
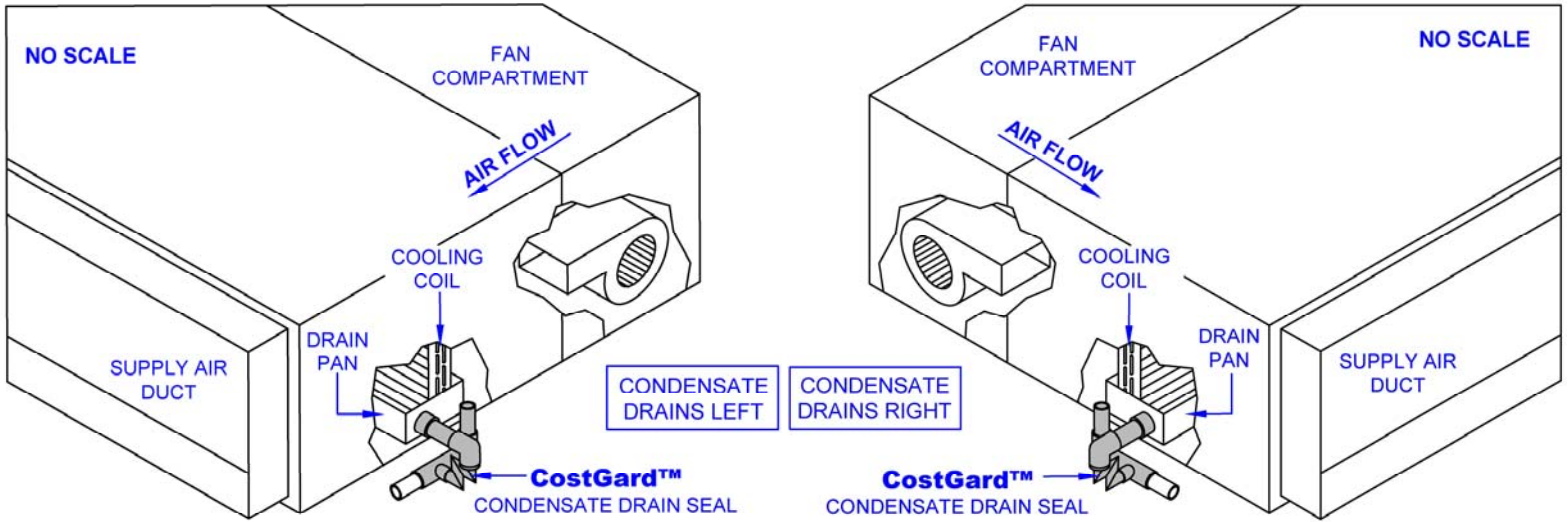
**FIGURE 2B: Reduced Depth - Exploded View**



Note: Part "C" is properly assembled when the internally sloped end is inserted into Part "A".

Trent Technologies, Inc.  
15939 FM 2493, Tyler, TX 75703 • 903-509-4843 • info@TrentTech.com

# Depth Installation Examples



# Reduced Depth Installation Examples

